



243  
T G SP

Compact,  
self-pasteurizing  
soft gelato machine



### Performance and Quality

- **Gravity feed** up to obtain 40% overrun. Easy to adjust even when the tank is full!
- **Hard-O-Tronic®** electronic control system to choose the consistency of the soft serve in a simple manner and change it for a variety of styles of your choosing

### Operations

- **The Self-Pasteurization system** allows the wash cycle to be done up to a maximum 42-day interval

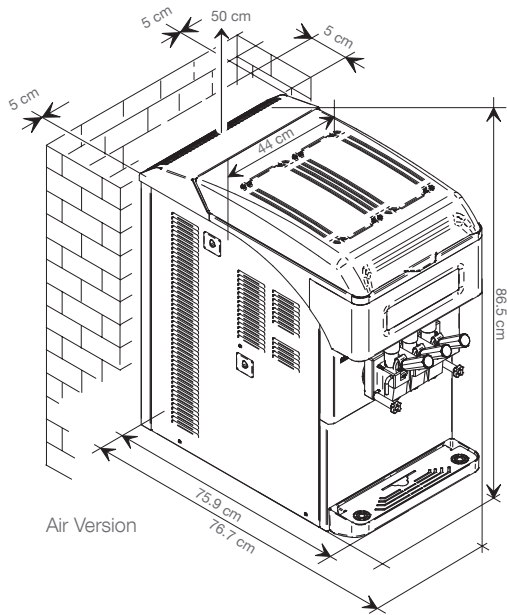
### Smart tools

- User-Friendly **LCD Control panel**
- Remote assistance with **Teorema** Connectivity
- **QR code** ensures updated access to the latest machine information



\*optional \*\*request them from your dealer to always keep your machine hygienically perfect.

[carpigiani.com](http://carpigiani.com)



## Standard configurations

- Gravity
- Removable High efficiency beater in POM
- Star Door
- Self Closing
- Stainless Steel front panel
- Air-cooled
- Self-pasteurization

## Optional configurations

- Nozzle
- Teorema

	Flavours	Mix Delivery System	Hourly production <i>(75 g portions)</i>	Tank Capacity <i>lt</i>	Cylinder Capacity <i>lt</i>	Rated Power Input <i>kW</i>	Fuse Size <i>A</i>	Power Supply	Cooling System	Refrigerant	Net Weight <i>kg</i>
<b>243 T G SP</b>	2+1	Gravity	268*	8+8	1.35	3.0	20	230/50/1**	Air	R452***	180

\* production capacity depends on the mix used and the room temperature \*\* other voltages and cycles available upon request \*\*\* alternative solutions available

243 T G SP is produced by Carpigiani with Quality System UNI EN ISO 9001.

All specifications mentioned must be considered approximate; Carpigiani reserves the right to modify, without notice, all parts deemed necessary.



Via Emilia, 45 - 40011 Anzola dell'Emilia - BOLOGNA, Italy - T. +39 051 6505111 - info@carpigiani.it

an Ali Group Company



the spirit of excellence

## Ordinary Maintenance

6

MONTHS

12

MONTHS

WHY  
IS IT NEEDED?

SUPPLIED WITH  
THE MACHINE



### Carpi Care kit

--	--

Kit of consumable parts to keep your machine's hygiene level at the top.

### Carpi Clean kit

--	--

Set of brushes of the correct size to thoroughly clean every component of the machine.

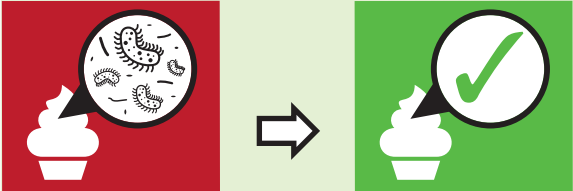
RECOMMENDED



### Brushes kit

1	1
---	---

Set of brushes of the correct size to thoroughly clean every component of the machine. Replacement is necessary to ensure the best cleaning and hygiene.



Ordinary Maintenance

6

12

MONTHS MONTHS

WHY IS IT NEEDED?

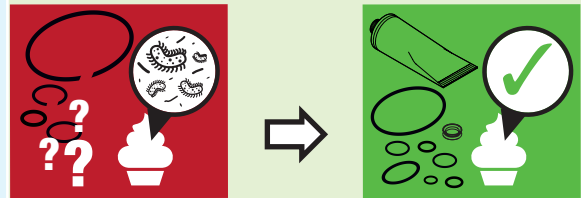
Carpi Care kit



1

1

Kit of consumable parts to keep your machine's hygiene level at the top. It avoids machine downtime by keeping accessible parts that can be lost or damaged during cleaning procedures handy.



Kit of scrapers to ensure the best cooling efficiency and quality of the product. Worn scrapers increase product dispensing time and recovery time. Replacement is required every 6 months.

Beater Body+Idler



-

2

Beater Body+Idler to ensure the correct functioning of the scrapers and reduce recovery time.



MANDATORY

Carpigiani recommends a preventive maintenance visit by Carpigiani approved service providers at least once a year. \*Reported values depend on the mix used and the room temperature.